

Non-Return DZR Ferrules for Wet Tapping



Size available:

- 20mm (3/4")
- 25mm (1")
- 32mm (1.25")
- 40mm (1.5")
- 50mm (2")

System Applications

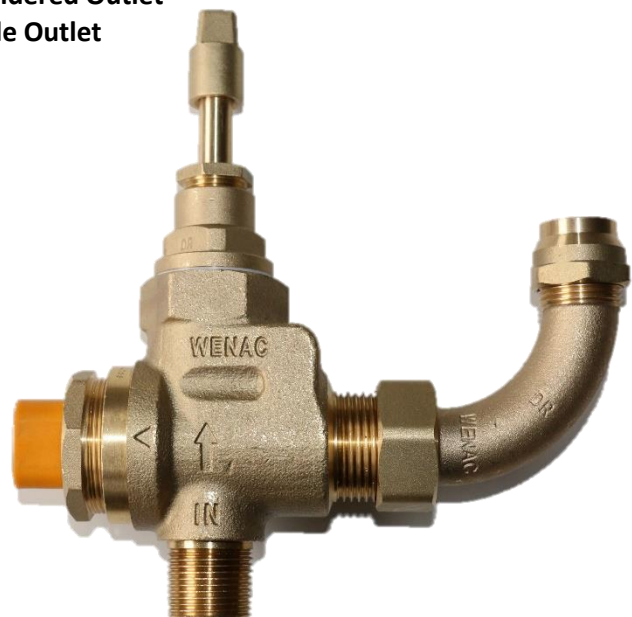
- Suitable for drinking water and non-drinking water
- Pressure rating up to PN16

Compliance Standards and Approvals

- Comply with AS/NZS 3718:2005
- DZR brass comply with AS2345
- Resilient elastomeric seal comply with AS 1646
- Valves suitable for potable water and certified to AS/NZS 4020

Various Outlet Options

- CB - Copper Compression Outlet
- SB - Copper Soldered Outlet
- MB - Plain Male Outlet



More Enquiries

Wenac Industries

7 / 5 Turbo Drive,
Bayswater North

Ph: 0452 118 008

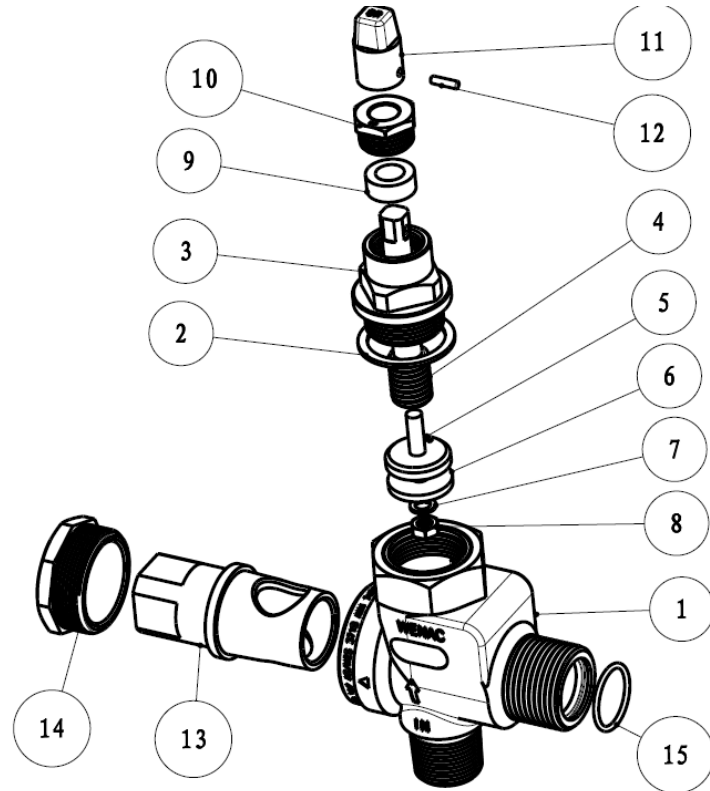
Email:

jw@wenac.com.au

Website:

www.wenac.com.au

Component and Material List



No	Component	Description	Material
1	WPF20-01	DN20 Body	CW602N
2	37.5x30.3x1.5	Body Seal	PTFE
3	WSF20-02	Stuffing Box	CW602N
4	WSF20-03	Spindle	CW602N
5	WSF20-04	Jumper Valve	CW602N
6	25x6.1x3.0	Seal	EPDM
7	10x6.1x1	Washer	SS304
8	M6	Nut	SS304
9	WSF-seal	Gland Seal	PTFE
10	WPF20-05	Gland Nut	CW602N
11	WPF20-06	Key Top	CW602N
12	WSF-pin	Key Pin	HPb59-1
13	WPF20-03	PE Plug	HDPE
14	WPF20-02	Retaining Nut	CW602N
15	WSF-Oring	O Ring	EPEM